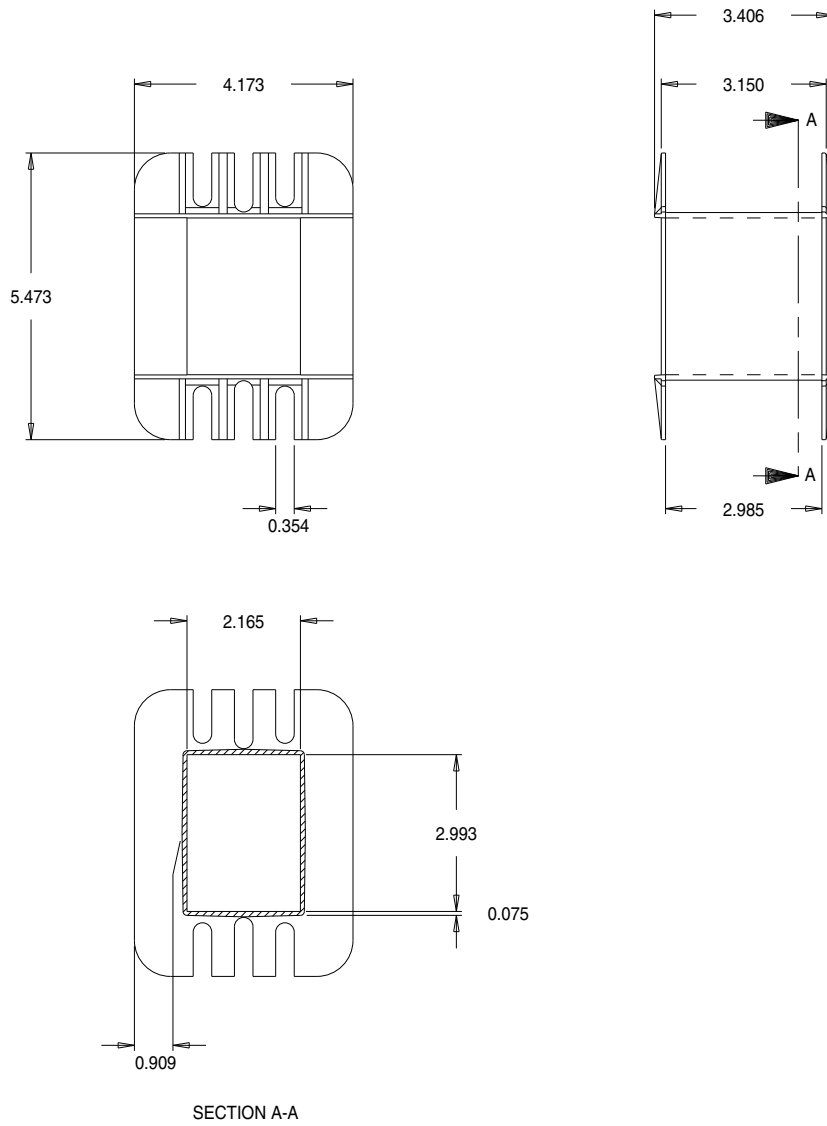


Part No. L05200

638 x 3 Single Section 'L' Range Bobbin



Dimensions in inches.



Issue 1